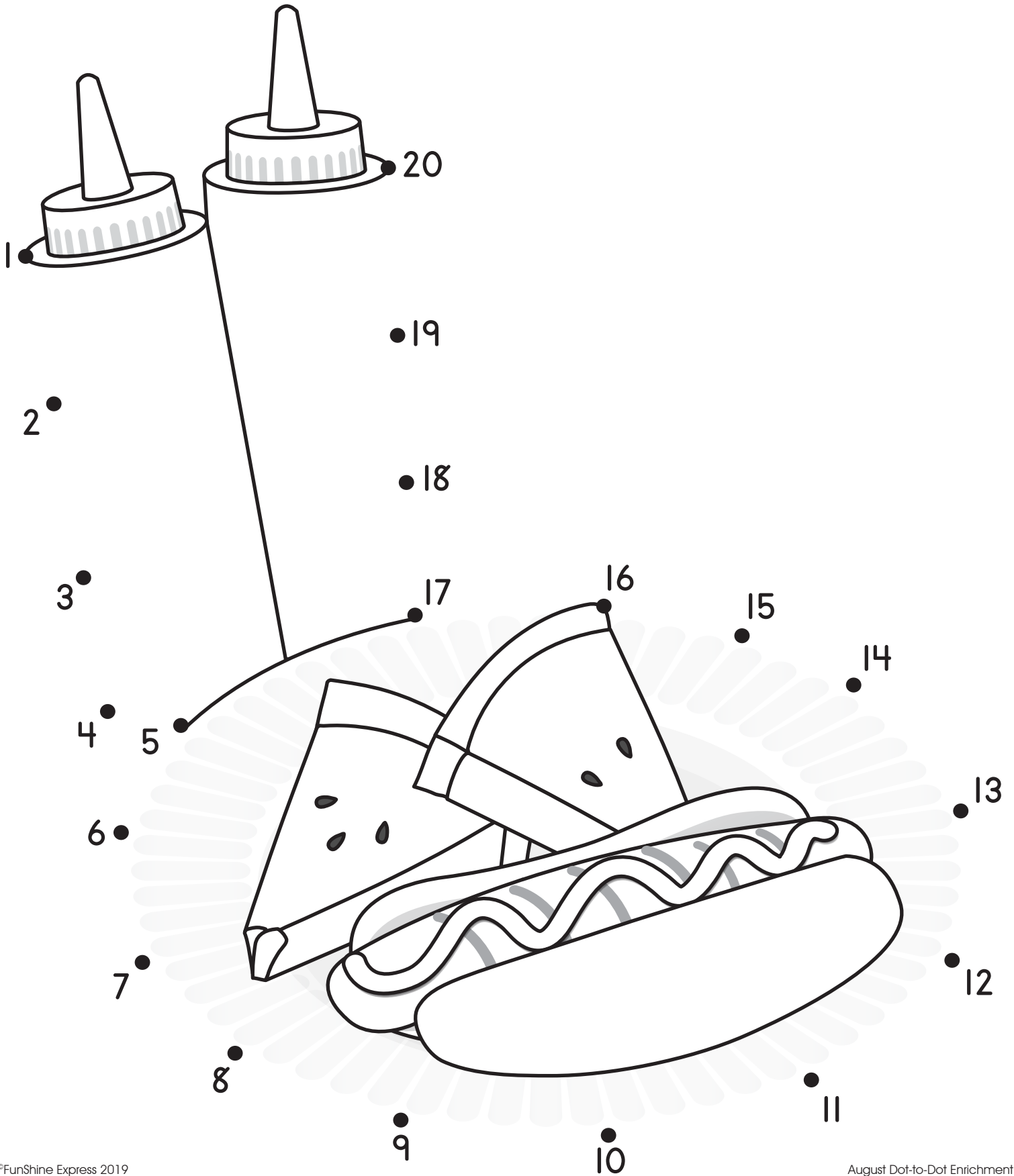


Name _____

Connect the dots to finish the picture. Color the picture.



Name _____

Read the sight words and then trace them.

blue blue

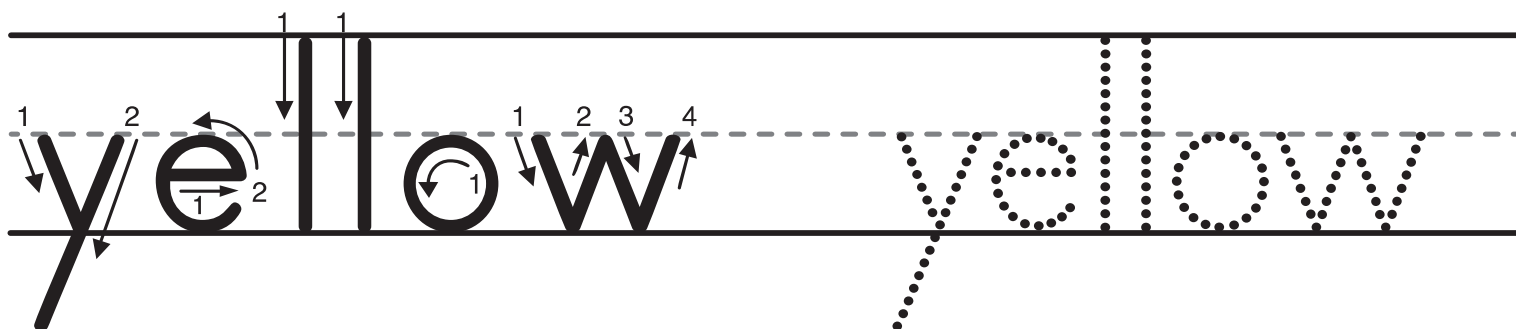
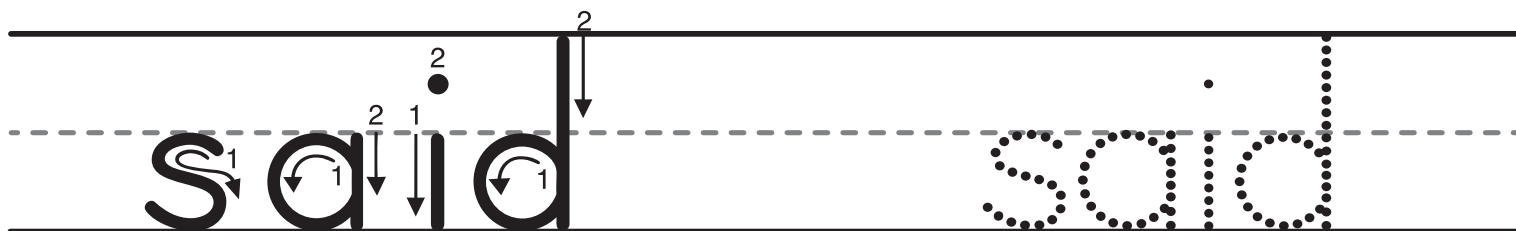
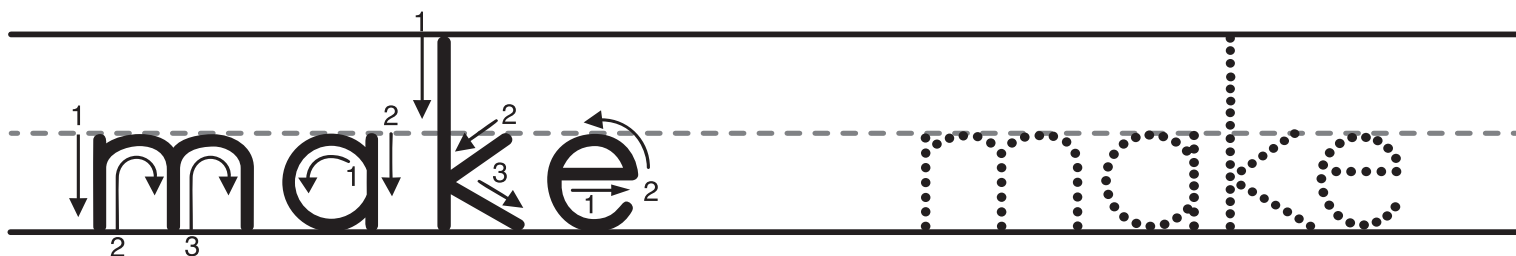
down down

find find

were were

Name _____

Read the sight words and then trace them.



Name _____

Read the sight words and then trace them.

funny funny

jump jump

little little

play play

Name _____

Word Family Review

Place letter cards on the line below to create -op, -ot, and -ig words.

t + op top

h + ot hot

f + ig fig

_____ op

_____ ot

_____ ig

a

h

o

v

b

i

p

w

c

j

q

x

d

k

r

y

e

l

s

z

f

m

t

g

n

u